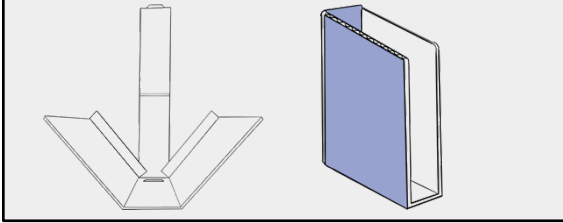


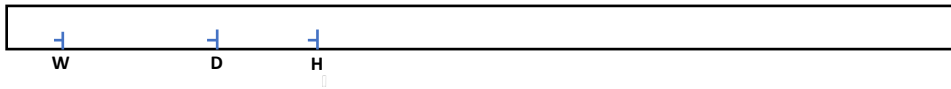
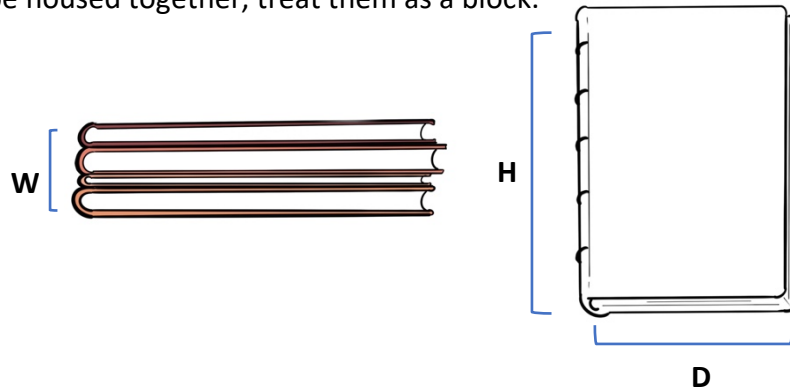
# Book Shoe instructions



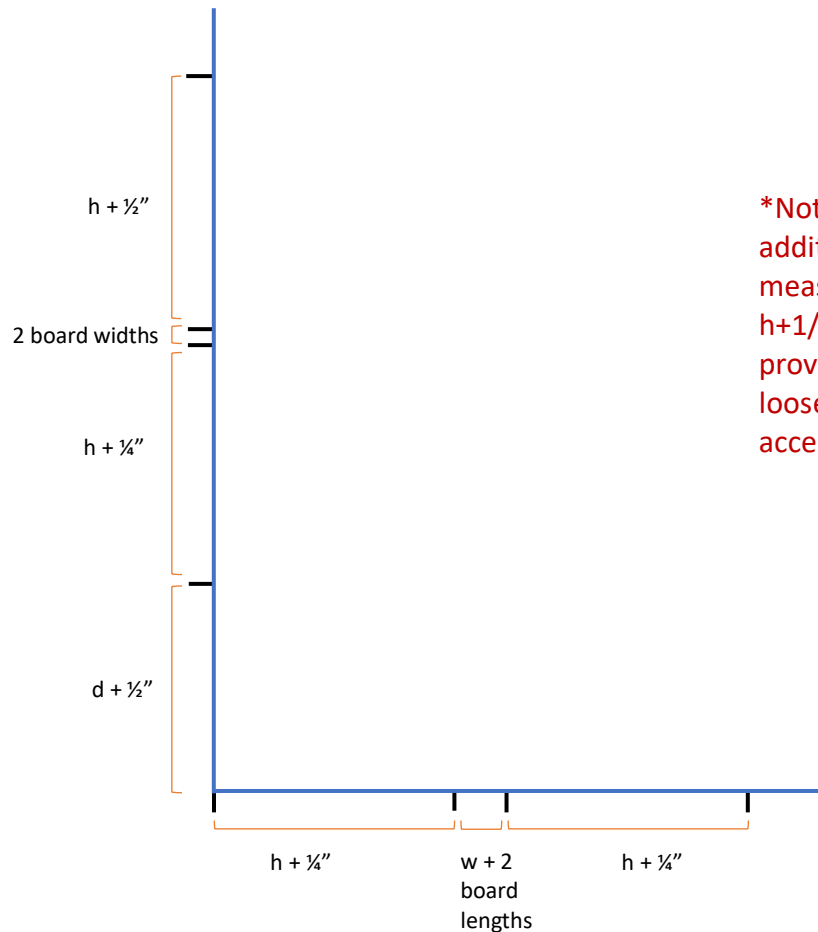
by Chloe Gise

March 2020

1. Mark Width, Depth, and Height of the object on a paper strip. If there is more than one object to be housed together, treat them as a block.

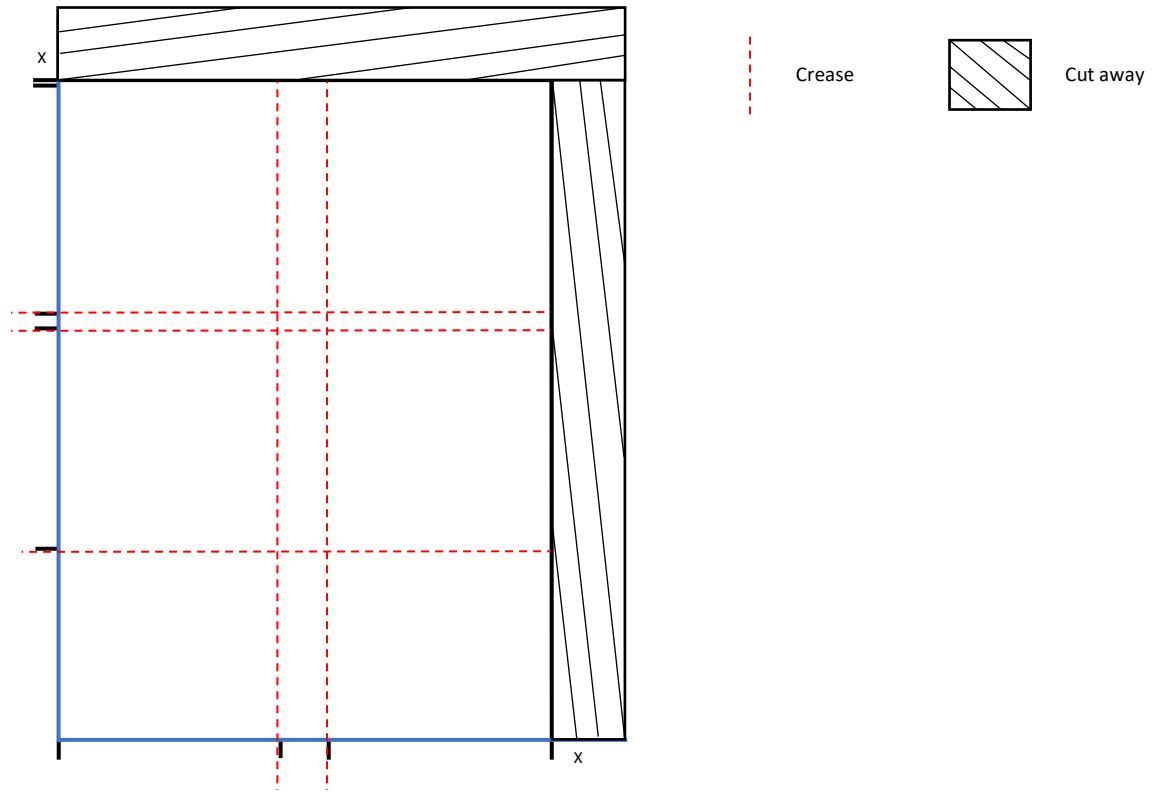


2. On single corrugated board, mark measurements\*:

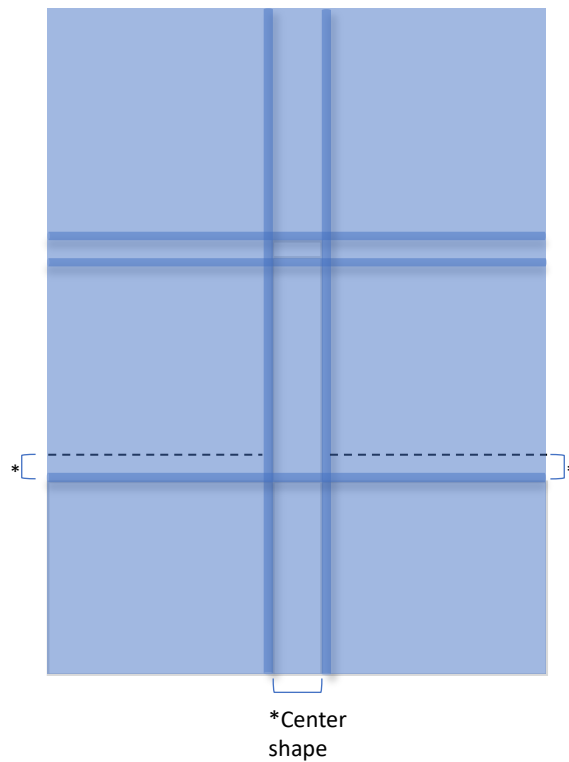


\*Note: The additional measurements (ex:  $h + 1/2''$ ) are to provide a slightly looser fit for easier access.

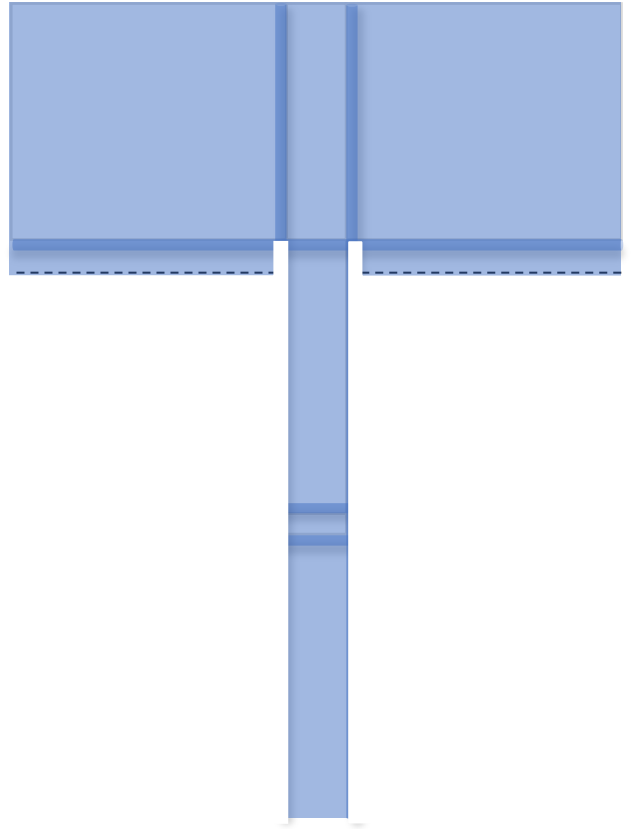
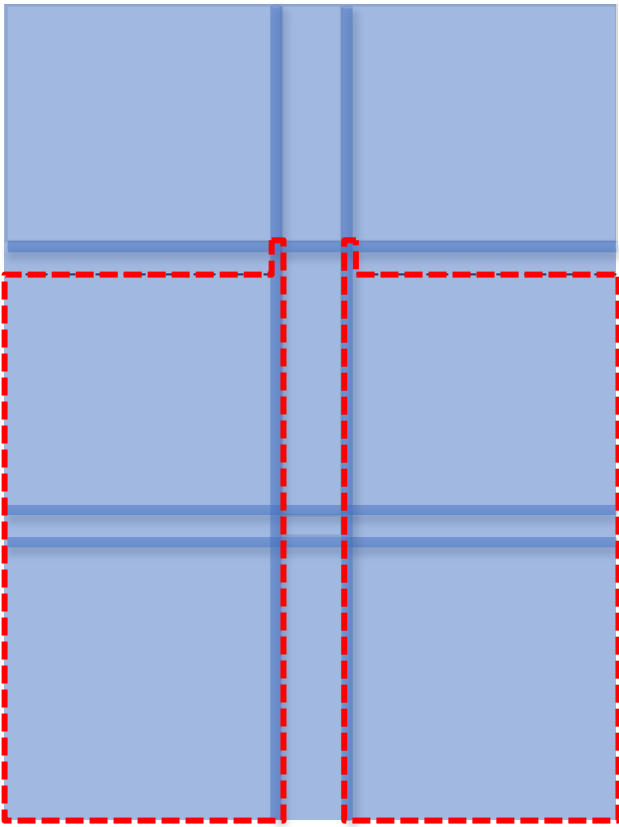
3. Using a bone folder or creaser, crease as indicated on the dotted lines. Then cut the following areas away:



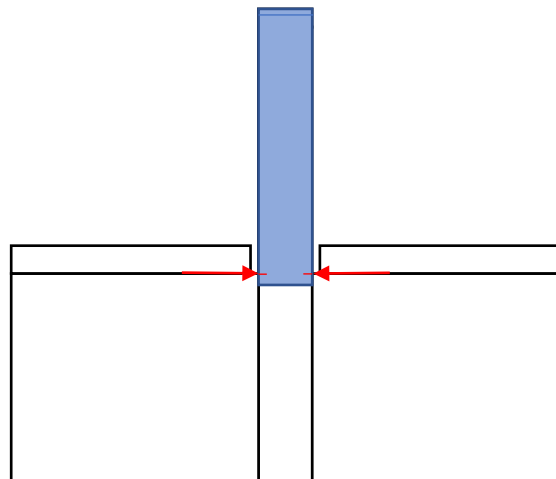
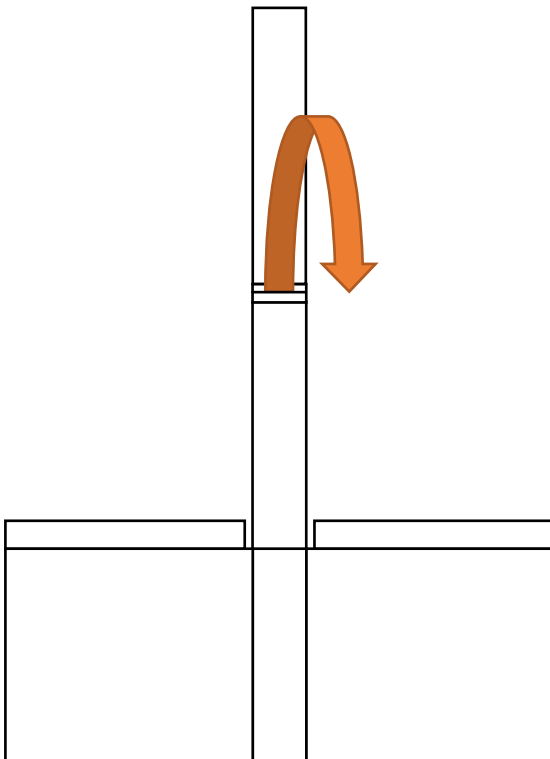
4. Flip the board over so you can see the top of the creases. Make 2 cuts  $\frac{1}{2}$  half the width of the center shape (\*) as indicated by the dotted lines.



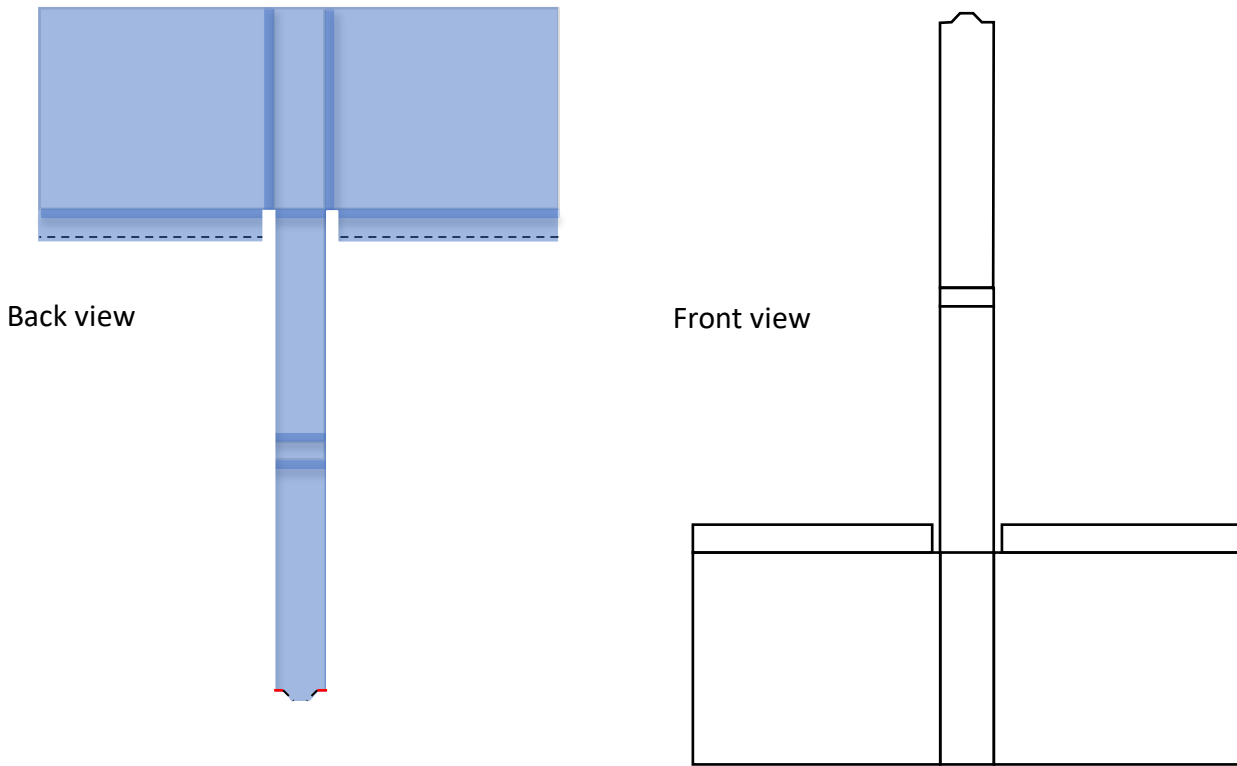
5. Turn the board 180 degrees. Use a straight edge to cut away the indicated areas:



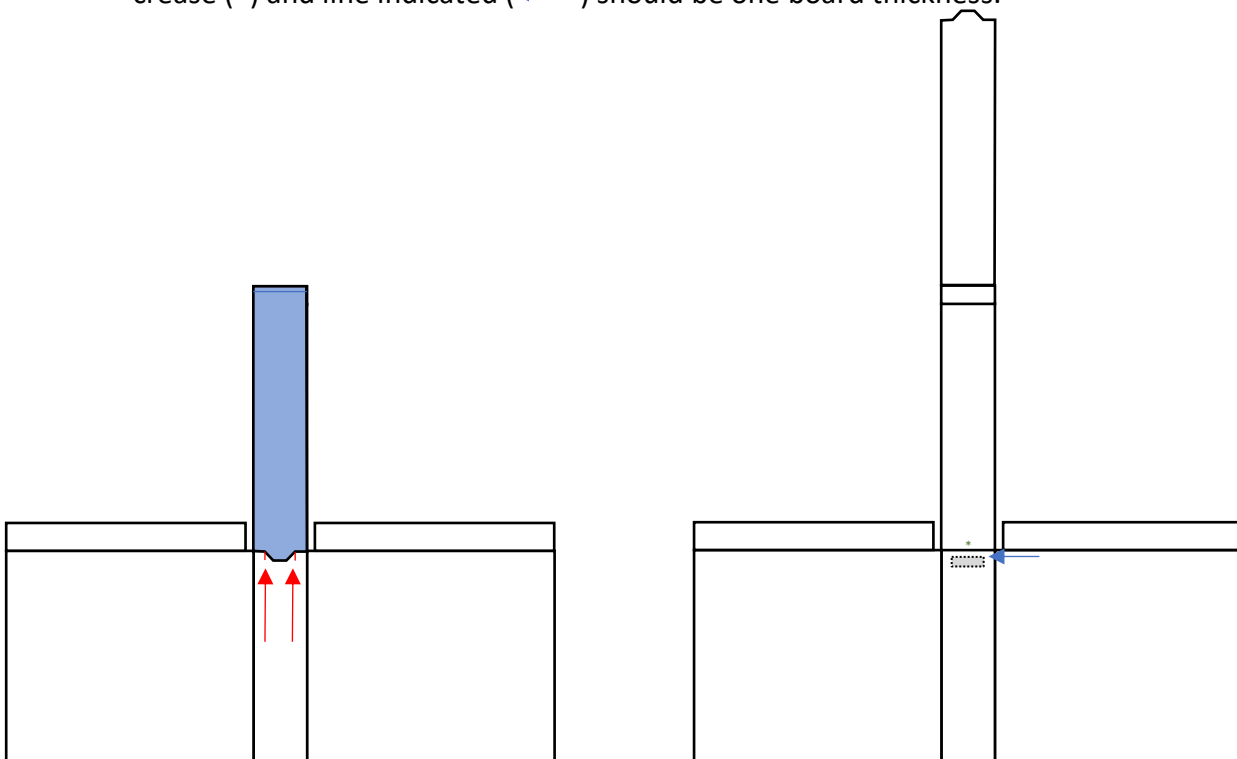
6. Flip the board over and turn 180 degrees. Fold the top shape over and make two marks where the overlap begins. (Should be about  $\frac{1}{4}$ " )



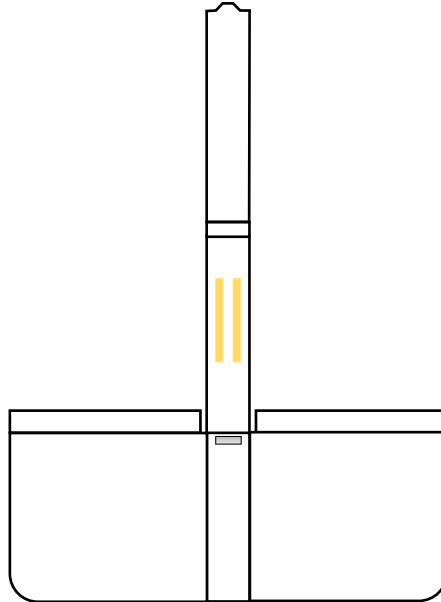
- Flip it over and turn 180 degrees. Create a tab in the center of the bottom shape. The marks you made in step #6 are the height of the tab. Flip the board over and turn 180 degrees.



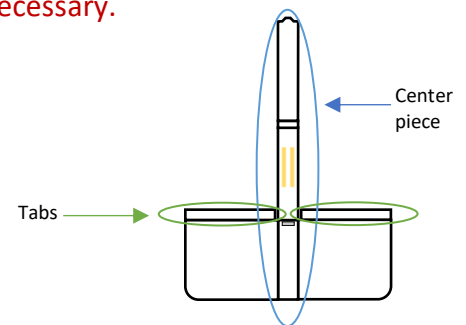
- Fold over the top section again, this time marking the width of the tab on the center bottom shape. Cut out a small rectangle for the tab to lock into. The width from the crease (\*) and line indicated (←) should be one board thickness.



9. Enhance all creases by folding over each one. Round the edges of the bottom left and bottom right corners and place two pieces of D3M 415 double-sided adhesive (optional\*) in the following area. Note: The tape should be placed at least ¼" from the edge of the board to prevent adhesive creep.



\*During construction, it was found that if the center piece is less than about 2.5" wide, the corresponding tabs that get tucked in tend to pop out. The tape is added as a preventative to that. If the tabs are larger and there is no risk of the housing coming apart, then the tape is not necessary.



10. Assemble by folding up the left and right sides, keeping the middle bottom center on the table. Fold the small tabs inward, then bring the taped side up to meet them. Fold the topmost tabbed piece down and secure.

